

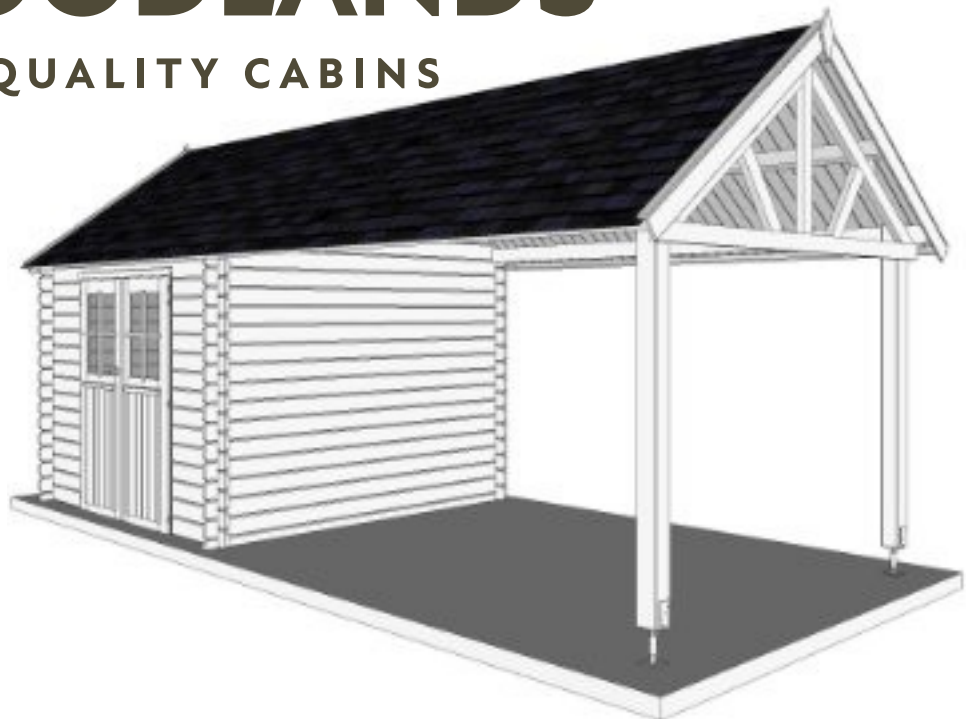
# GENERAL ASSEMBLY INSTRUCTIONS FOR GARDEN SHEDS WITH GABLE ROOF AND EXTENSION

This brochure has been compiled for all our garden sheds with gable roofs and extensions (optional) and their options.  
The numbers and designs in the drawings may differ from the garden shed you have purchased.



## WOODLANDS

QUALITY CABINS



# GENERAL ASSEMBLY INSTRUCTIONS GARDEN SHED GABLE ROOF WITH EXTENSION

Congratulations on the purchase of your garden shed.

If you read the assembly instructions carefully, you will enjoy your purchase for many years to come.

## Tips and advice

Before you start assembly, we would like to give you some useful tips and advice that deserve your attention.

**A** You have purchased a log cabin made from an untreated natural product. The wood still needs to be treated to ensure a long cabin. Only use products that penetrate the wood and protect it against moisture, wind and weather, as well as insects and fungi. Do not use products that are so viscous that they prevent a good connection between the tongue and groove and the corner joints. You only have the opportunity to treat the tongue and groove **before** assembly. It is very important to **treat** all parts **on all sides**. This means you must also treat **the inside** of the log cabin.

**B** It is best to install a waterproof concrete base that is 10 cm larger than the outer dimensions of the log cabin. It is extremely important that your log cabin is level and remains so. Please note that if your structure does not remain stable after installation, gaps and deformations may occur in the log cabin. Ensure that ground moisture and other moisture cannot penetrate the wood by providing adequate ventilation of the log cabin and treating **the inside** of the log cabin against moisture. The bottom logs of your log cabin deserve extra attention, as they will be most exposed to water. Therefore, treat them with extra care. Seal the connection between the log cabin and its base with silicone (not included). Anchor your log cabin to its base (e.g. with L-brackets, not included) to protect it from stormy weather.

**C** "Wood lives", a saying that also applies to your purchase. In concrete terms, this means that the height of the log cabin varies depending on the humidity. If you install vertical or horizontal structures (e.g. shelves, electrical wiring, storm braces, etc.), you must ensure that you do not impede this natural movement of the wood. If you connect the wood vertically in certain places, gaps will appear between your logs during periods of low humidity, often resulting in deformation of the log cabin. Do not be alarmed if you notice a gap above the door and window during the assembly of your log cabin. These are designed to accommodate shrinkage and expansion. We supply matching cover strips to conceal this gap.

**D** Remove the parts of your log cabin from the packaging two days before assembly. This will allow the wood to acclimatise to the humidity. Place the logs slightly apart, sheltered from rain and sun. Now carry out a full check using the enclosed parts list. Complaints about materials will not be accepted if the parts have been painted. Complaints must be submitted to us no later than 8 days after delivery.

**E** Wood is a natural product. This means that slight variations may occur. What are **acceptable** variations?

- Knots
- Fallen knots no larger than a thumb
- Fallen knots or slight damage to the edges (tongue and groove) if coverage is guaranteed during assembly
- Discolouration in the wood
- Straight cracks that do not split the board, splitting cracks that are no longer than 12 cm
- Resin pockets of max. 5 cm
- Wood that is slightly bowed, if assembly is still possible (the pressure of the roof will usually keep the log straight)

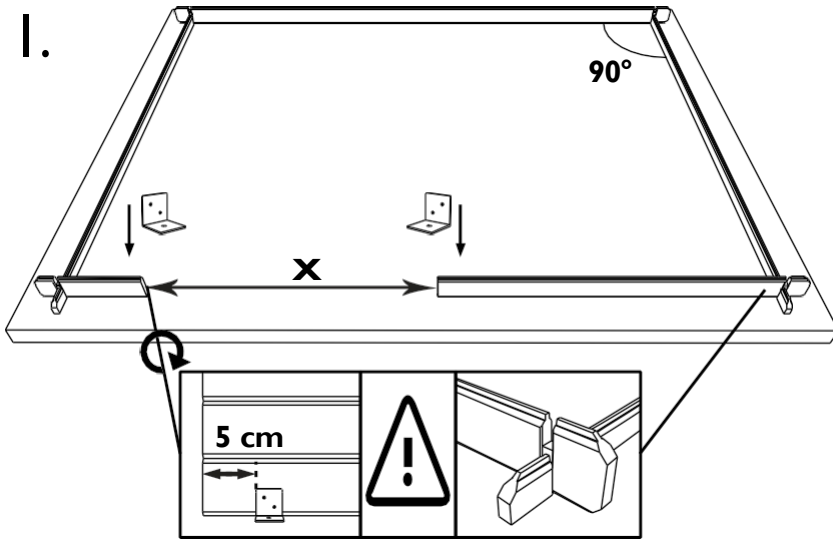
**F** Ensure that your log cabin **is anchored** to its base (e.g. L-brackets, not included). Also ensure that you have effective vertical storm bracing that takes into account the tips mentioned in point C 'Wood lives'. Gardenas dealers sell our special storm bracing products.

**G** Do not use nails or screws when assembling the walls. The pressure of the roof with the storm bracing will ensure that your log cabin remains standing. To prevent splitting, we recommend that you pre-drill with a drill bit that is smaller in diameter than the screw.

**H** Is a part damaged during assembly, or are you having trouble figuring it out? Our after-sales service is at your disposal:

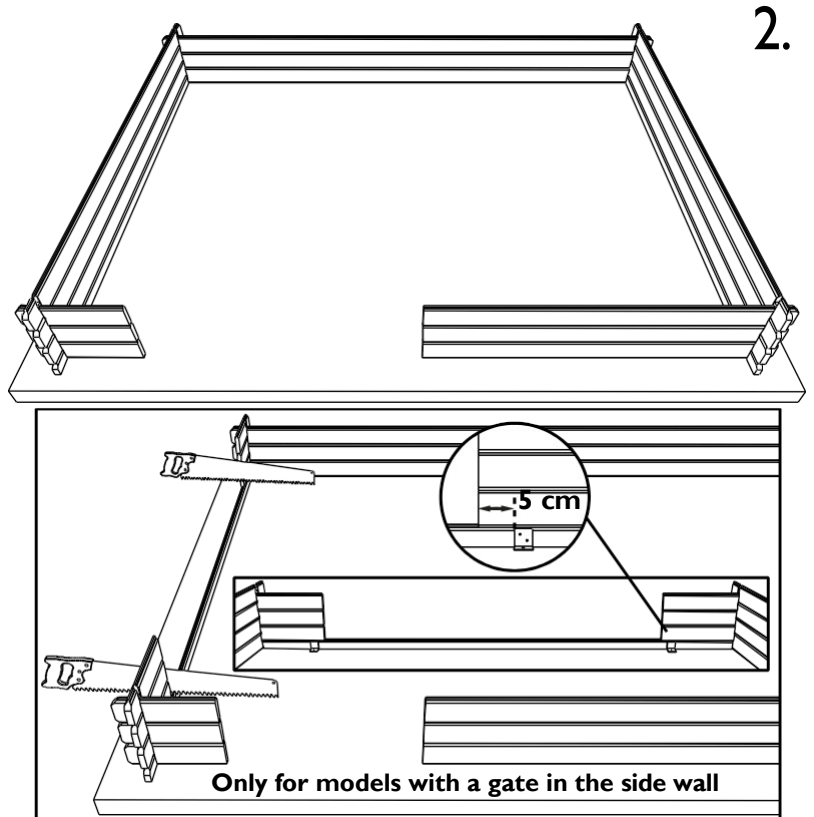
- during office hours by telephone: +32 (0)52 21 95 71
- by fax: +32 (0)52 22 09 03 or
- by e-mail [info@gardenas.be](mailto:info@gardenas.be)
- If you notice any damage to the package, please let us know within 48 hours.

After you have checked the accompanying parts list **and all parts are treated**, you can start assembling. What do you need? A saw, a protractor, a piece of auxiliary wood, a screwdriver (preferably battery-powered or electric), 2 long ladders, a rubber mallet, a drill, a set of spanners, silicone. At least 3 adults are required for assembly. Keep children away during assembly.

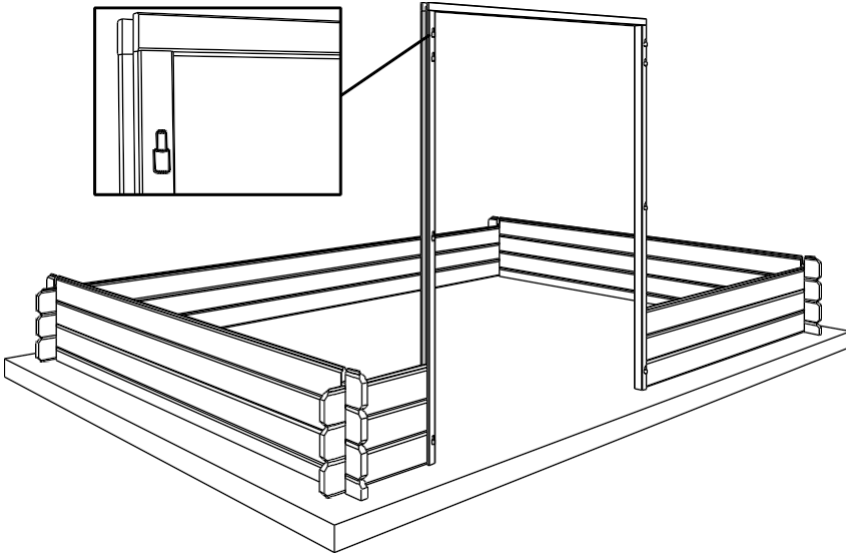


Ensure that you immediately achieve a 90° angle in your corner joint. The tongue should be at the top. The bottom log in the side walls is a half batten with only a tongue, while the bottom logs of the front and rear walls have tongue and groove. Ensure that the logs rest firmly on the ground. **Caution!** Also check that everything remains square. You can find the dimension 'X' on the floor plans with the detailed parts list. To keep your log cabin perfectly square, you need to anchor the front bottom logs to the base on both the left and right sides, 5 cm from the door opening and on the inside, using an L-bracket (plugs not included).

Continue building the log cabin as indicated on the wall drawings in the parts list up to 3 logs high. If the door in your model is not centred, you can choose which side to place the door on. Use a hammer to ensure the logs fit together tightly. However, never strike the wood directly (damage to the tongue can make assembly more difficult), but strike a piece of auxiliary wood or use a rubber mallet. **Caution! For models with a gate in the side wall,** you must anchor the front bottom log to the base on both the left and right sides, 5 cm from the door opening and on the inside, using an L-bracket (see also previous step. The plugs are not included). Now saw out the front log down to the ground as shown in the drawing (level with the parts already assembled next to the door opening). The piece you saw off is waste.

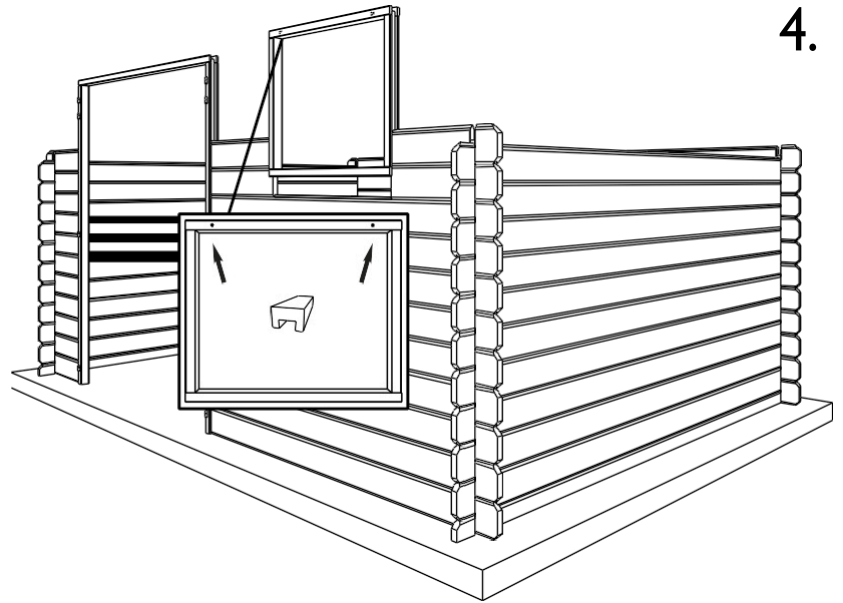


3.



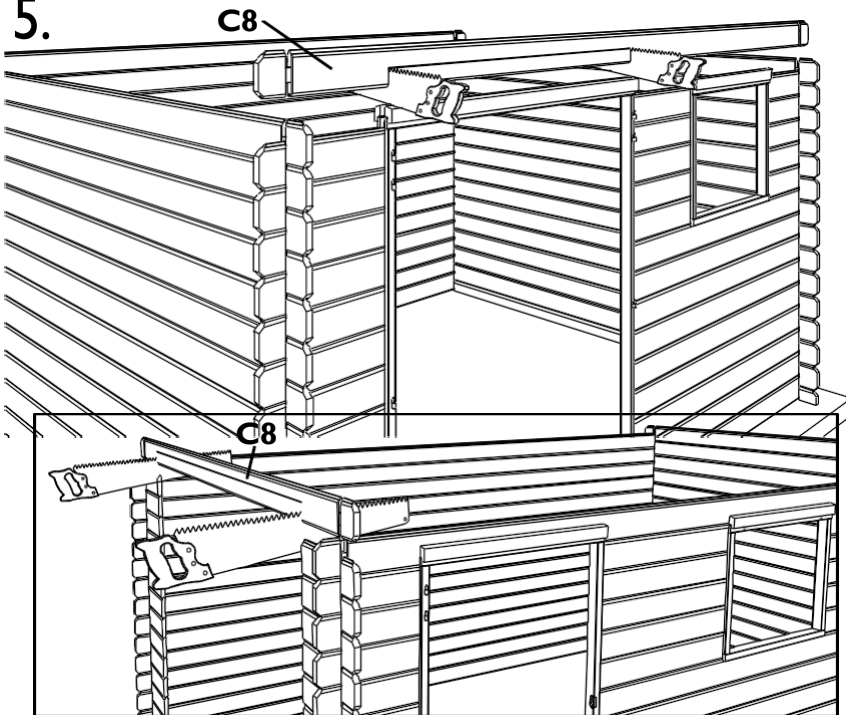
Screw the hinge pin (male part of the hinges) into the pre-drilled vertical jambs (only the left jamb for single door models). Lower the door frame (3 parts still to be assembled) into the opening. Make sure that the door opens outwards. **Secure your frame to the log cabin only at the bottom with a screw. At the top, screw the horizontal jamb to the vertical jamb, never to the log cabin itself** (see tips and advice 'wood lives'). It is best to finish the door once the log cabin is fully assembled.

Continue building according to the plans provided (see detailed parts list) until you reach the height of the bottom of the windows. Now add two more layers. Lower the window frame into the opening with the turn hinge holes on the outside and top. It is best to finish the opening windows (depending on the model) once the log cabin is fully assembled. **Do not attach your frame to your log cabin with screws or nails, for example! ('Wood lives').**



4.

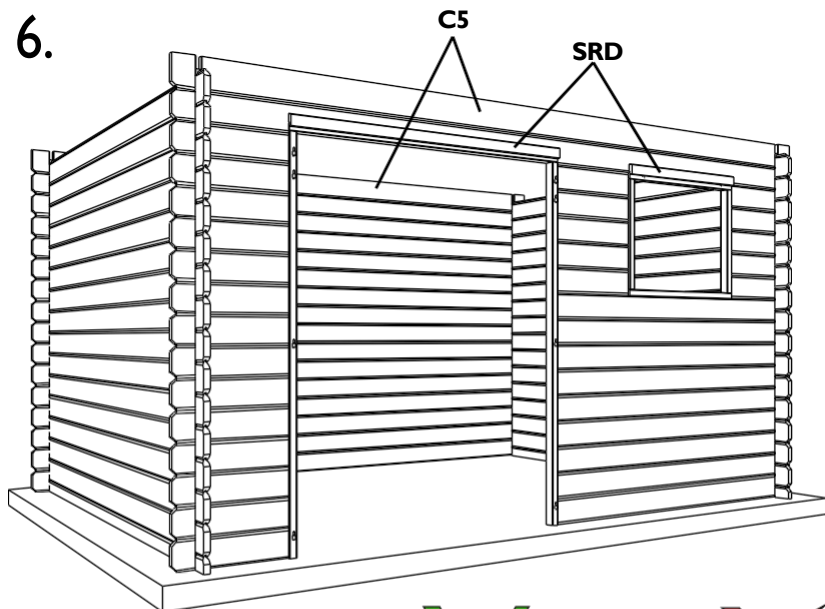
5.



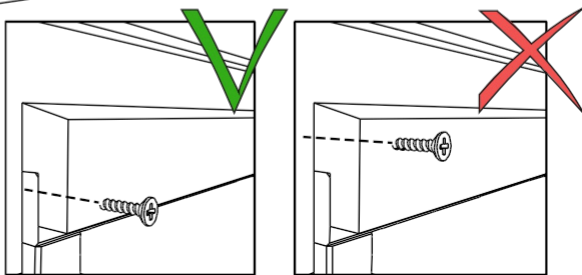
Continue building until you reach the top of the door frame(s). Place log C8 above the door frame(s). First, saw up to the slot. **Please note:** saw from the groove (bottom of the log) to the slot!

Only for models with a gate in the side wall

6.

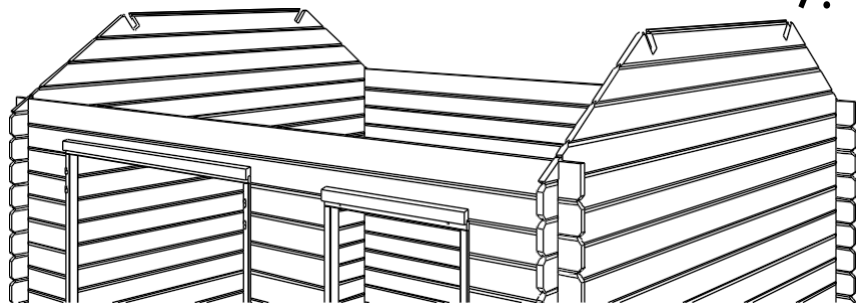


Continue building as indicated on the wall drawings in the parts list until you have used all C3 and C1 parts. Finally, place part C5 on the front and rear; these logs have no tongue, only a groove; in other words, they are flat on top. You will notice an opening above the window and door. This is normal and necessary. The height of your log cabin will vary depending on the humidity. This opening serves to accommodate this phenomenon. Close this opening with the SRD battens supplied. It is **very important** to anchor the cover battens in the frame of the window/door and not in the log cabin itself. Otherwise, gaps may appear in the walls.

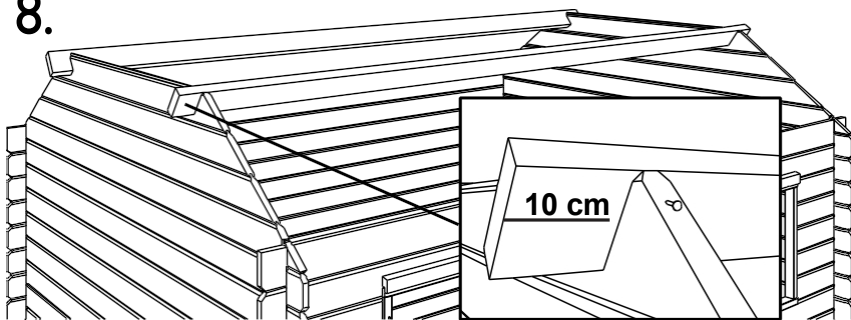


Your package contains two gable ends that need to be assembled. Start assembling at the bottom and work your way up to the first cutout. Use nails to anchor the parts together. Ensure that the edges slope nicely.

7.



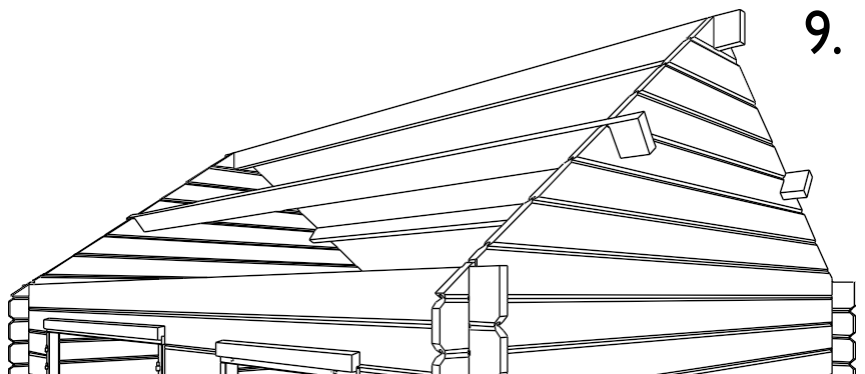
8.



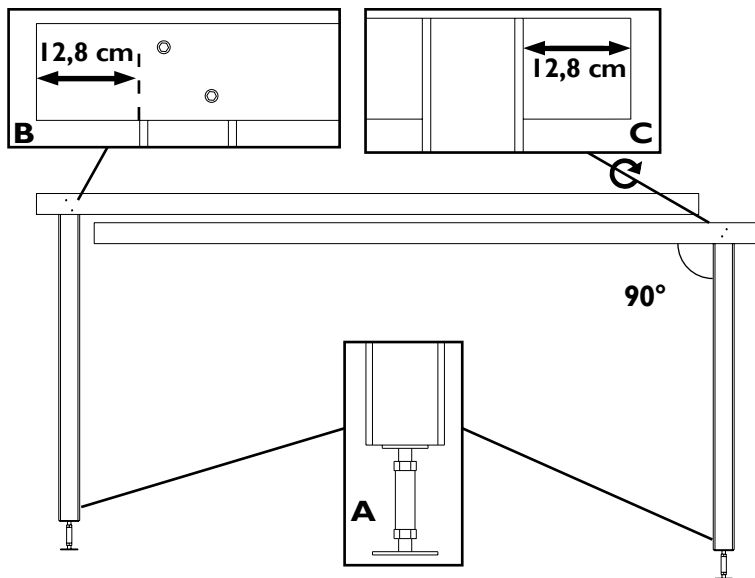
Place the roof rafters P in the cutouts of the gables. The rafter protrudes 10 cm in front of and behind the gable (see detail). Nail each rafter to the gable.

Finish the gables. Repeat steps 7 and 8 until you reach the ridge beam, then install it as well. (The number of rafters in your log cabin may differ from the drawing).

9.

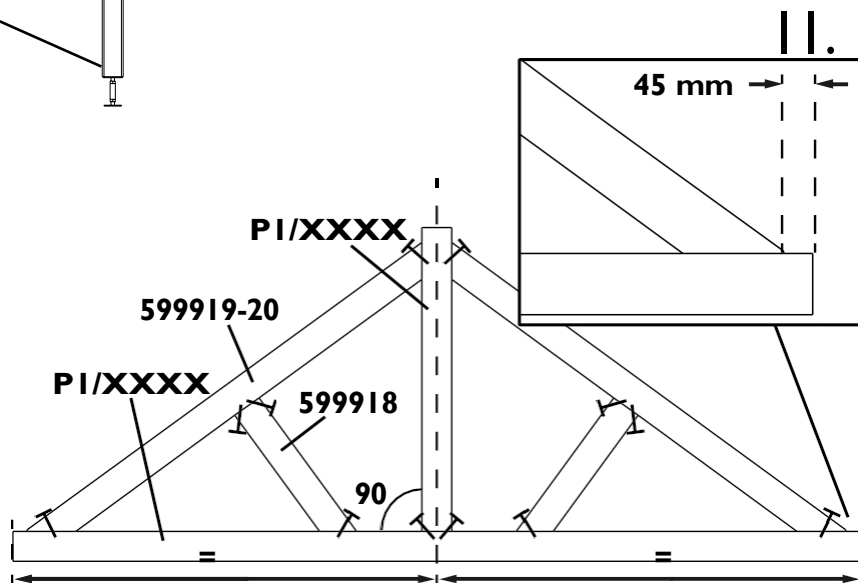


# 10.

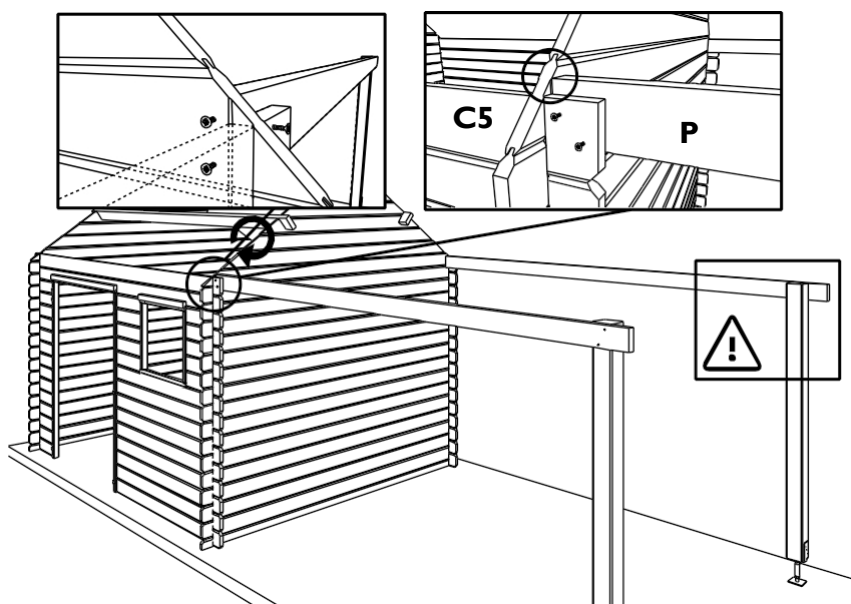


At ground level, mount an adjustable foot 300035 at the bottom of each post S with 4 threaded bolts with washers (detail A) and at the top with 2 threaded bolts with washers a joist P4/3800. Let the longitudinal joist protrude 12.8 cm on the sloped side (details B and C). Mount one joist on the left and the other on the right as shown in the drawing.

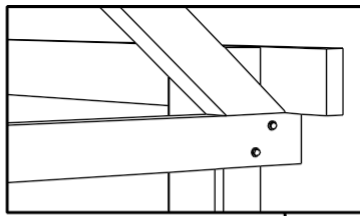
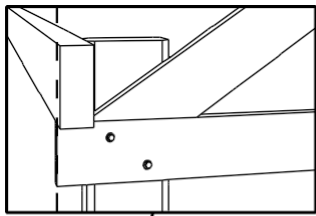
Assemble the truss at ground level. Use 100 mm screws (see drawing for how to screw). First, mount the central hanging post (PI/XXXX) in the middle of the collar beam (PI/XXXX). Then attach the 2 truss legs (599919 or 599920) and then the outer hanging posts (599918).



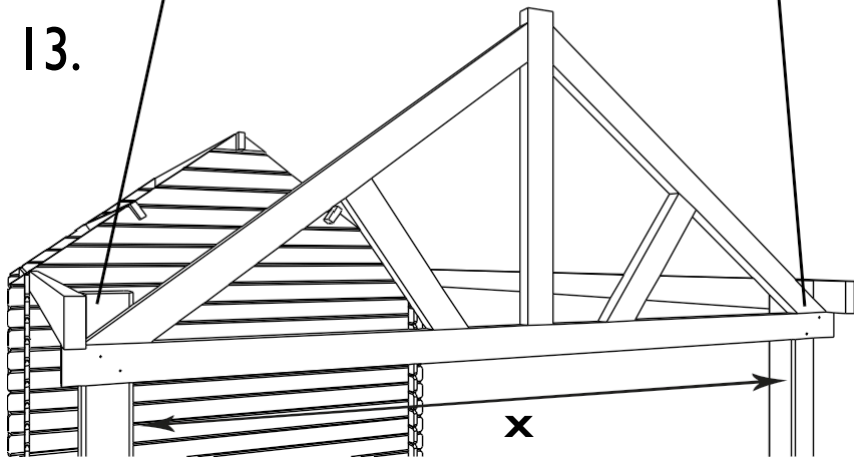
# 12.



Place against one of the side walls, along the inside of the overhang of batten C5 and flush with the sloped side of the gable, the assembled unit from step 10 above, **note**: the posts S are on the inside. Secure by screwing the gable and batten C5 with 2x2 70 mm screws. Adjust the foot so that the P4/3800 joist fits flush. Depending on air humidity fluctuations, this foot may need to be readjusted, otherwise gaps may appear between the logs.



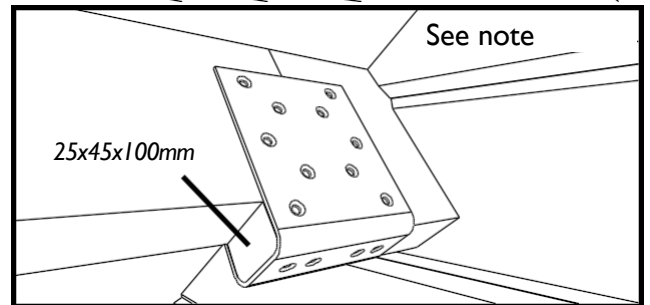
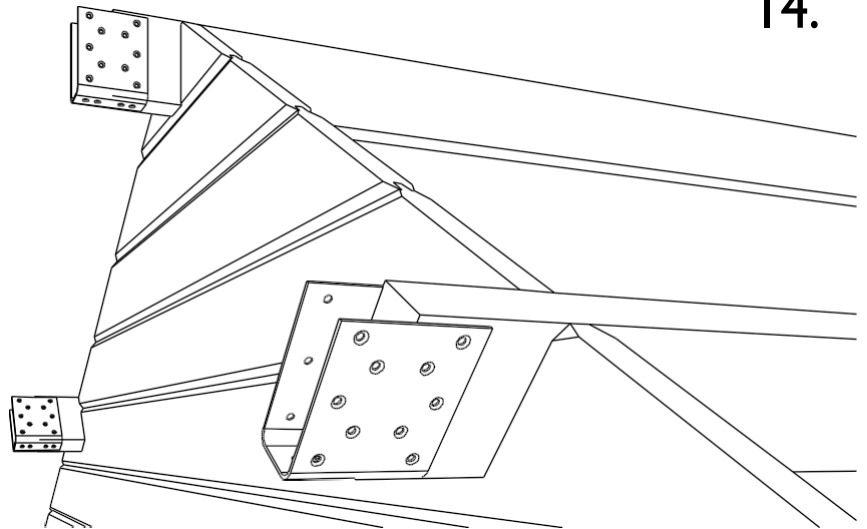
13.



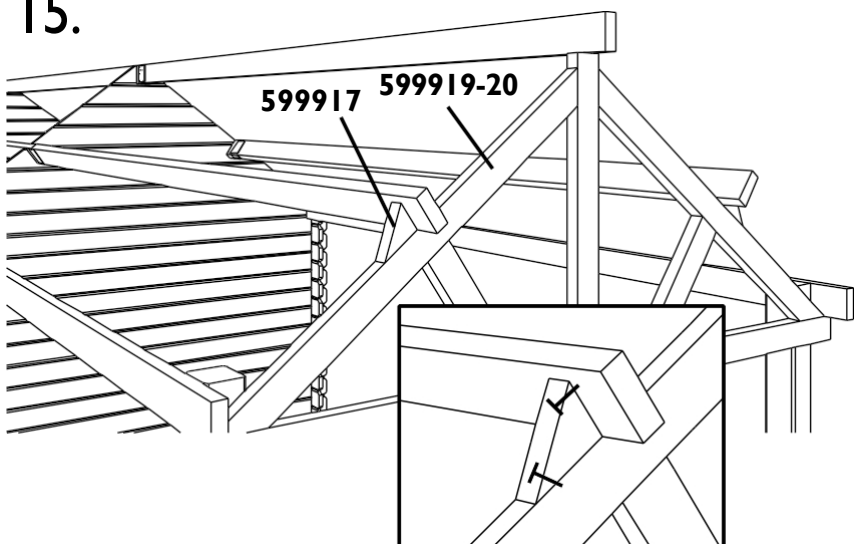
Mount the truss (see step 12) at the front with 2x2 threaded bolts with washers on the posts S just below the joists P4/3800. You can find the dimension "X" between the posts on the ground plans in the detailed parts list.

Attach the metal beam extensions to the ends of the roof rafters of the log cabin.  
**Please note!** For models where the roof rafters of the log cabin are higher than those of the extension, you must install a 25x45x100mm block (from the extension hardware bag) in the bracket under the roof rafter of the extension. This ensures that the rafters of the extension and the log cabin are level at the top.

14.



15.

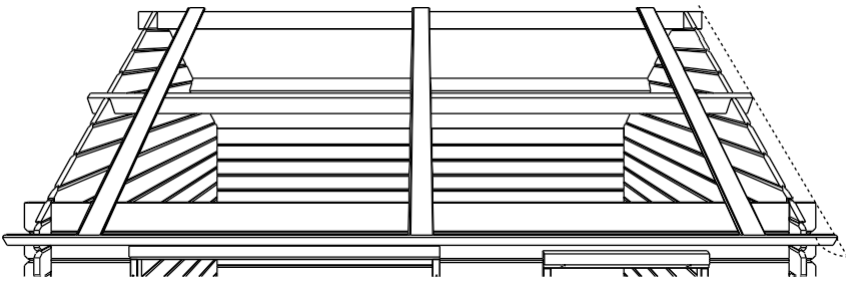


Place the extension roof rafters P4/3700 in the metal beam extensions. The ridge beam is placed in the centre of the middle hanging post and is secured with two 20x20 L-brackets on the left and right of the beam. The other rafters are placed parallel to the ridge beam on the truss legs (599917). Mount the support beams (599919 or 599920) next to the roof rafters using 100 mm screws.

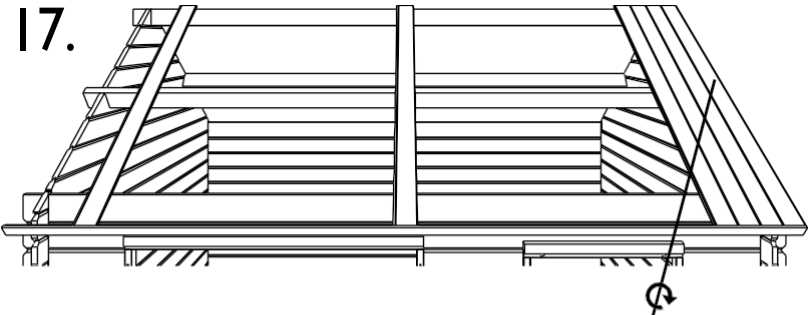
Next follows the explanation for further assembly of models with and without extensions. We repeat that it is very important to treat the roof boards (and all other parts of your log cabin) on all sides **before** assembly.  
 A small effort to avoid a lot of trouble.

Finish both sides of the roof separately.  
 Place 3 temporary roof boards, 1 in the middle of the ridge beam and the other 2 approximately 50 cm from the ends. Ensure that the roof boards are positioned halfway across the width of the ridge beam. Nail them lightly so that you can move them later.  
 Ensure the overhang of the roof board on the side is equal at the front, middle and rear. Now attach the side trim batten (ZSL). This should protrude at the front as far as the roof rafters P. Nail it lightly too. This ZSL serves as an alignment for the roof boards. (For some models, the ZSL battens come in several pieces; place 3 temporary roof boards per ZSL.)

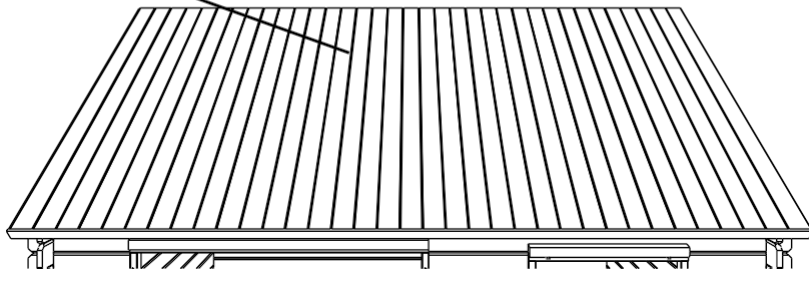
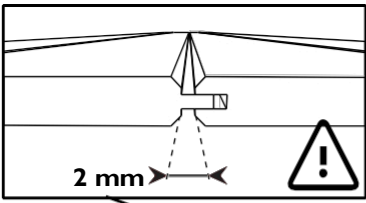
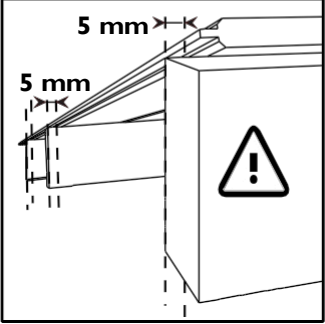
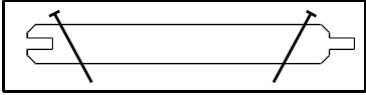
16.



17.

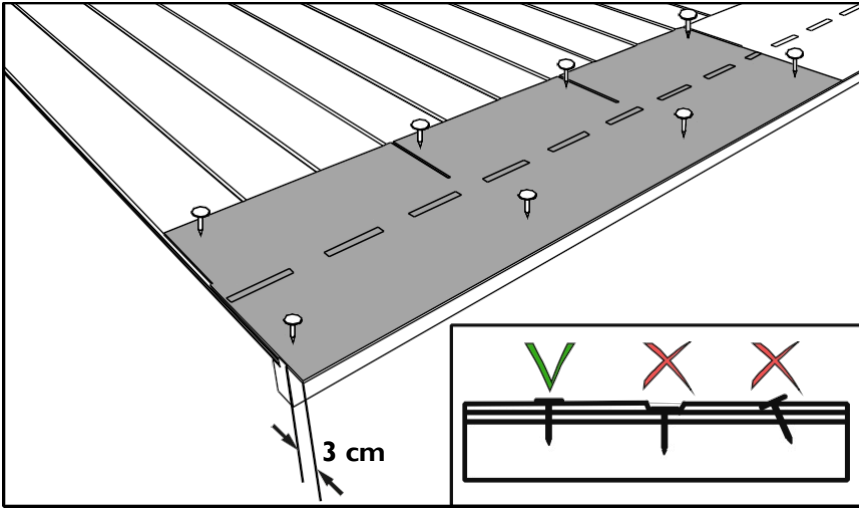


Place the first roof board at the front with the tongue facing you (the tongue should point towards the front of the log cabin). Ensure that the first roof board is placed 5 mm deeper than the front of the roof rafters (this 5 mm serves as an expansion gap). Nail the roof boards twice on each rafter and on the side wall. Always nail as close as possible to the outer edge of the roof board without touching the groove or tongue, so that you can connect the next roof board. Also nail to the side trim batten (ZSL).  
 Now attach the second roof board (nail twice on each rafter and on the side wall) and continue working towards the rear, using the side trim batten (ZSL) as an alignment guide.  
**CAUTION!** Do not fit the roof boards too tightly, so that there is sufficient space for the boards to expand and contract ('wood lives'). Ensure that the tongue and groove of the roof boards are fitted together, but in such a way that the wood still has approximately 2 mm of space to move (you can still see 2 mm of the tongue).



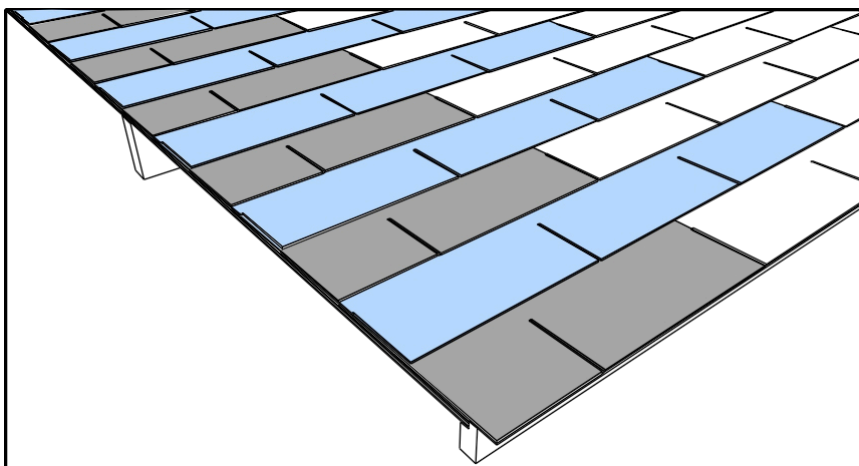
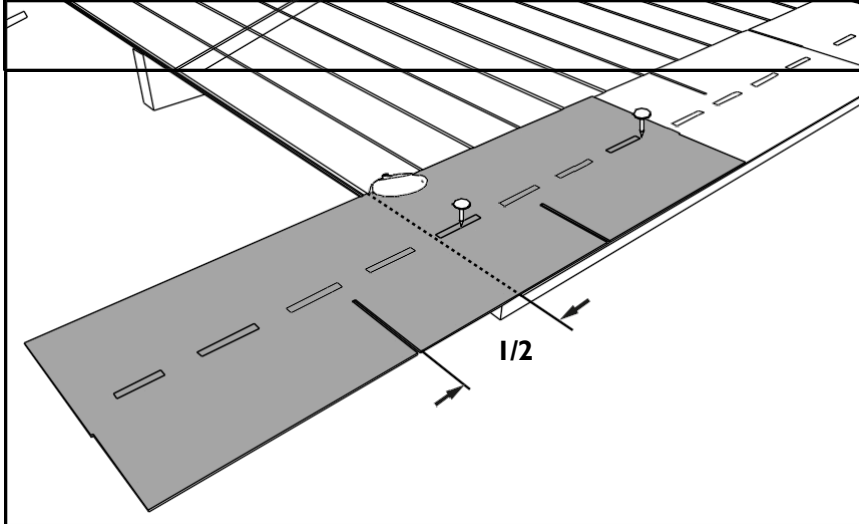
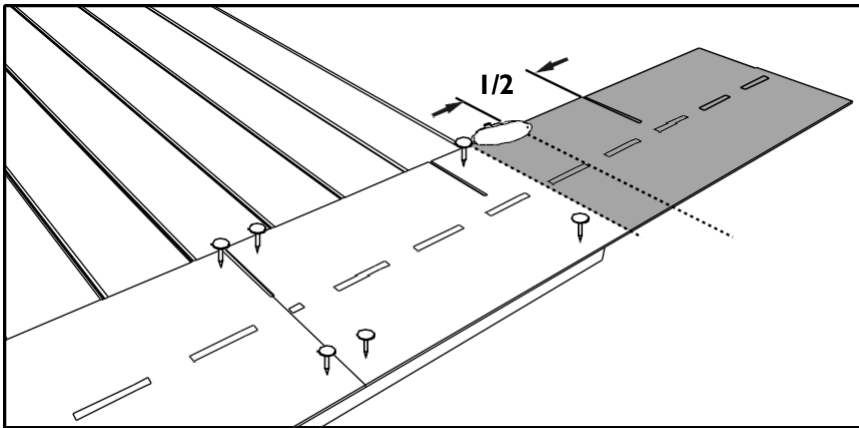
When you reach the first temporary roof board, remove it and reposition it. Nail every 4 roof boards to the side trim batten (ZSL). Continue working until you reach the rear of the log cabin. It is possible that the rear will not fit perfectly against the rear of the rafters. Saw the last batten lengthwise, again remembering to leave a 5 mm expansion gap. Finally, saw the ZSL at the rear to length.

18.

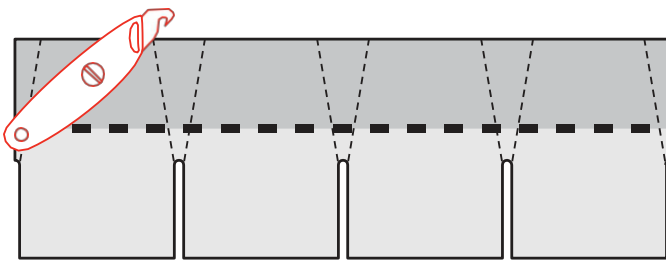


If you have purchased a gutter set, please install it on the ZSL now.

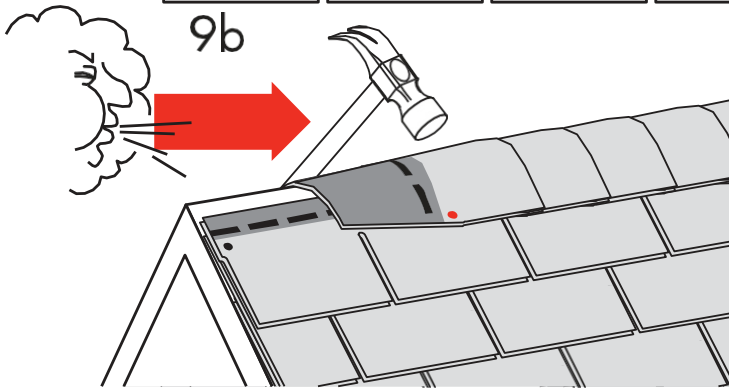
To install the shingles, start at the bottom and work your way up. Lay the first row of shingles with the cutouts facing upwards. Allow this first row to extend 3 cm beyond the edge of the roof. Nail this row at both the top and bottom, using 4 shingle nails per shingle. Lay the next layers with the cutouts facing downwards. Nail 4 nails into the top of each shingle. The second layer should completely cover the first, but make sure that the cutouts are staggered. For the third layer, stagger the cutouts again. Continue in this way until you reach the top of the roof. At the front and rear of each row, cut the shingles flush with the roof boards. Use a utility knife for this. If this piece of waste is larger than 1 tab, you can use it to start the next layer. If you are installing the shingles in cold weather, you should glue them with cold adhesive. The shingles will only adhere properly in warm weather. (See packaging).



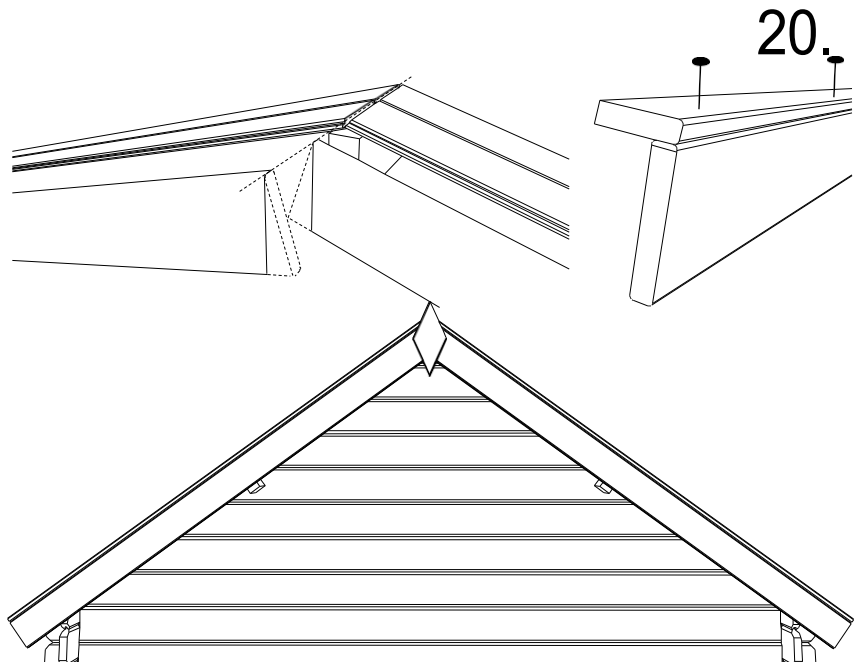
19



To cover the ridge, cut the shingles diagonally into pieces as shown in the drawing on the packaging. Then lay these pieces on top of each other so that they overlap. Take the direction of the storm wind into account when determining the direction of the overlap. Nail with 2 nails at the point where the next piece will overlap.



The roof still needs to be finished with decorative battens on the sides. Cut the supplied front decorative battens (FSL) at a miter joint for a neat connection at the ridge. Apply the storm decorative battens (SSL) on top of the FSL. You now have an L-shape that you nail to the roof rafters (roof covering is between the rafters and the L-shape). Also nail to log C5 and the ZSL. To finish, attach the diamond finial where the decorative battens meet. Seal the gap between the roofing and the battens SSL with silicone (not included).



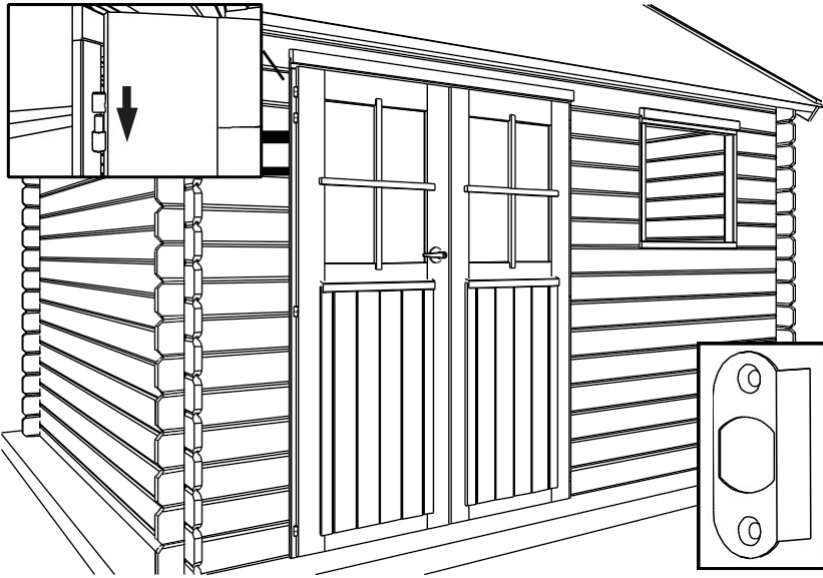
To make your log cabin storm-resistant, you will need to install storm bracing. This connects the roof and walls to the base. So make sure it is properly secured to the ground. Always ensure that you do not obstruct vertical shrinkage and expansion (see 'wood lives'). IGardenas dealers sell our standard storm bracing. An alternative is to attach a screw to both the top and bottom logs and stretch a nylon cord between them. In any case, you must ensure that the force of the storm bracing does not cause the wall to bulge.

If this is the case, you must adjust the bracing.

**Maintenance:** water, wind, snow and sun are the main enemies of your log cabin. Ask a specialist for advice if you have any questions about products, timing, etc. for treatment.

Product liability only applies if the log cabin has been assembled in full accordance with these assembly instructions.

21.

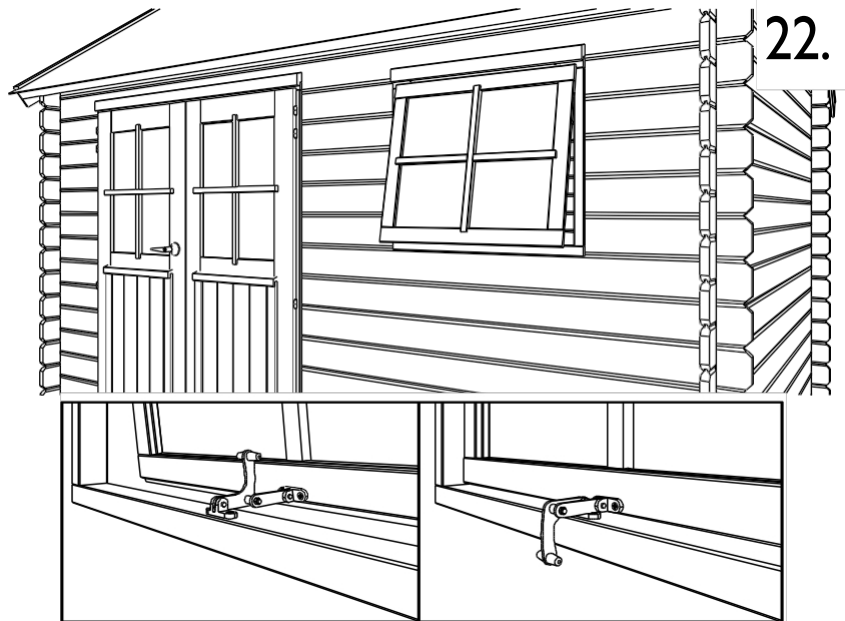


Now fit the doors with the supplied hinges.

Screw the hinge knuckle (female part of the hinges) into the door and hang it up. By turning the hinges in or out, you can position the door leaves until they hang straight. Please refer to the manual for the lock for instructions on installing the handle. For a single door, you only need to drill the hole in the stile. To do this, position and install the separately supplied angle plate (see drawing) and drill out the wood with a thick drill bit. Also replace the lock plate that comes with the handle with the separately supplied angle plate for double doors.

For models with a gate in the side wall, e.g. garage, please refer to point 21bis in the parts list.

Opening windows open outwards. Some models do not have windows. The windows have hinges at the top, i.e. the window swings outwards at the bottom. Attach the window stays at the bottom. Mount one leg on the frame and the other on the window itself (see drawing). When the window is closed, the two legs are parallel to each other.



22.

23.

Seal the following areas with silicone (not supplied):

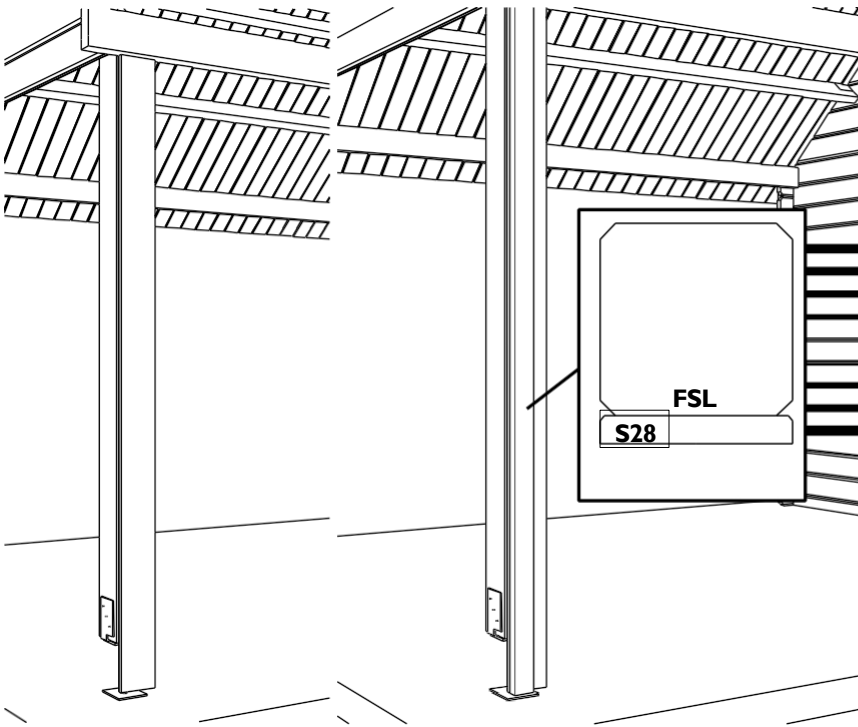
- The joint of the log cabin with its base on the outside,
- Around the glass.



# Options

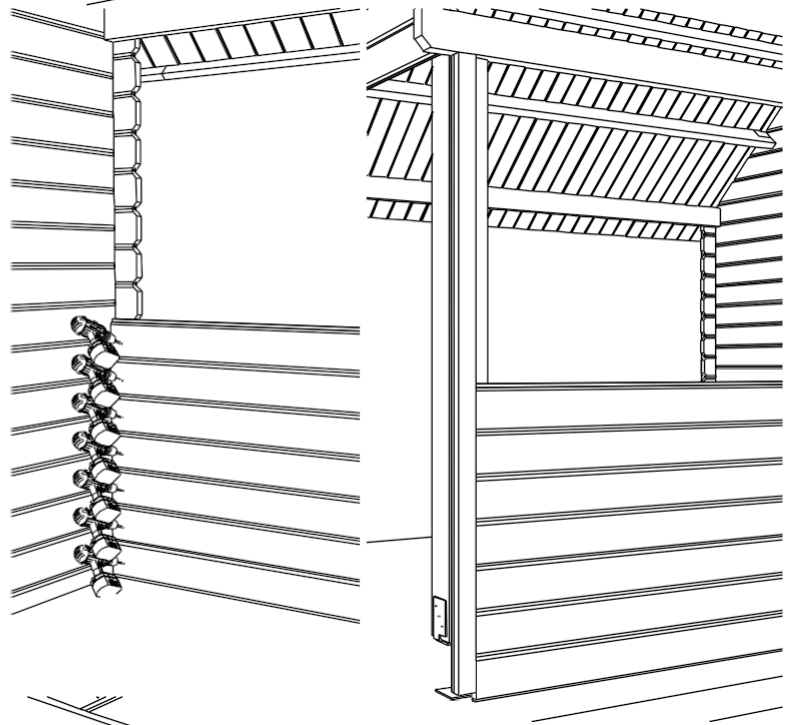
## Side wall

1.



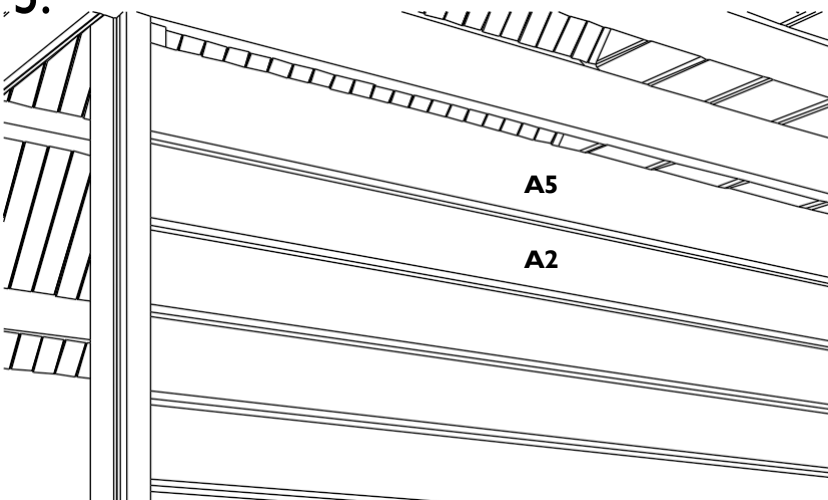
Attach the FSL batten to the corner post, with the top against the joist, using 5 x 35 mm screws. Now attach the S/028 batten to the outer edge of the FSL batten using 5 x 50 mm screws (see detail).

2.



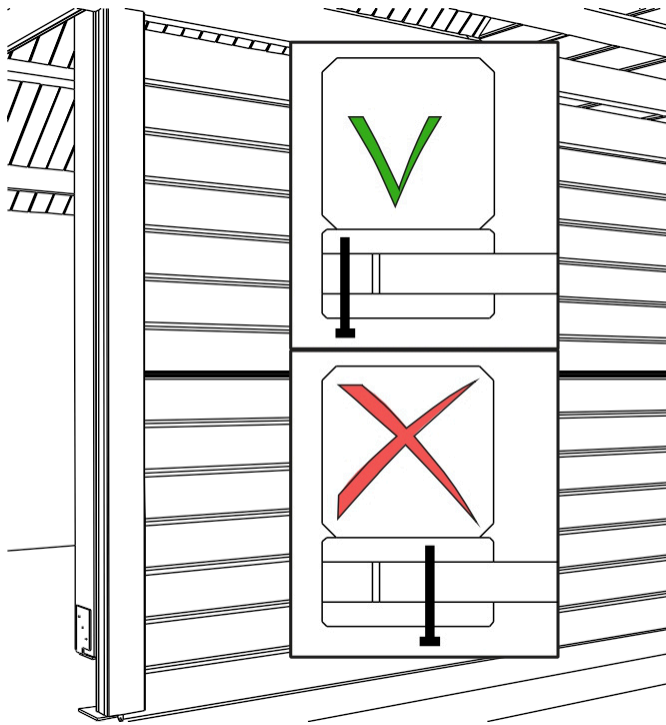
Now place the first 7 logs A2 between the log cabin and the post as shown in the drawing. Screw each log to the log cabin using two 50 mm screws. **Please note:** do not screw on the side of the post.

3.



Now place the remaining logs between the log cabin and the post. The top log A5 has no tongue, only a groove, i.e. it is flat at the top. Screw each log to the log cabin with two 50 mm screws. **Important!** Do not screw on the side of the post.

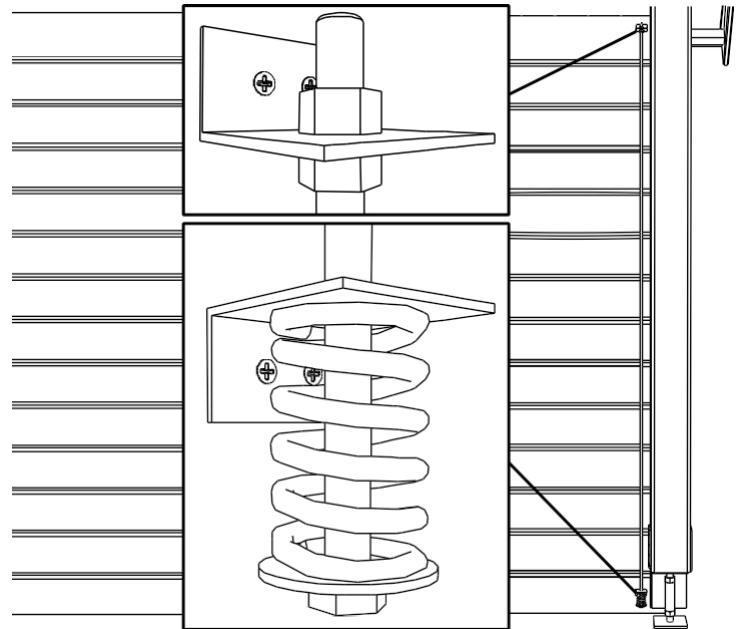
4.



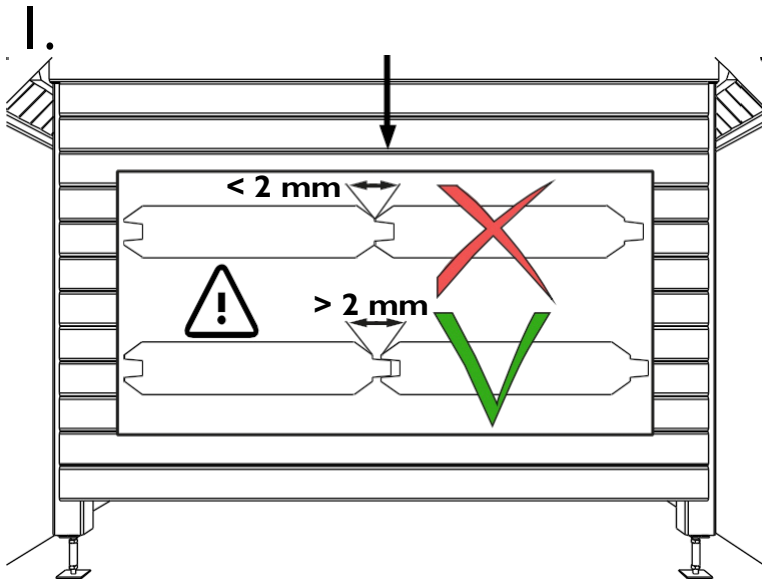
Next to the post, attach an L-bracket with threaded rod and spring to the bottom and top logs. This threaded rod will ensure that the logs on the side of the post always remain neatly in place (see also 'wood lives'). In extreme dryness, gaps may still appear between the logs. If this happens, tighten the spring slightly. **Please note!** Do not attach a threaded rod on the log cabin side, as it could restrict the natural movement of the log cabin.

Attach to the corner post, with the top against the joist, the FSL batten with 5 x 50 mm screws. **Please note!** Screw into the underlying batten S/028 and not into the walls.

5.

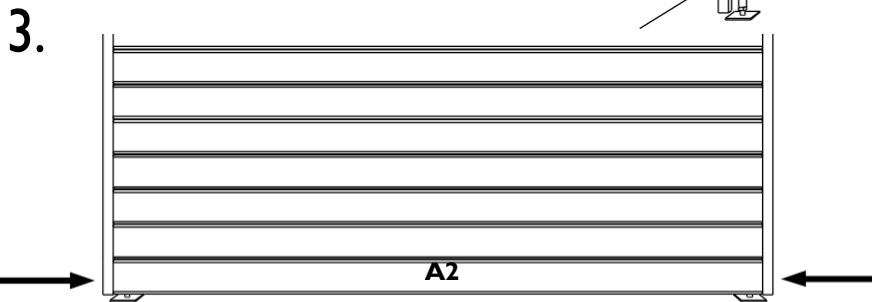
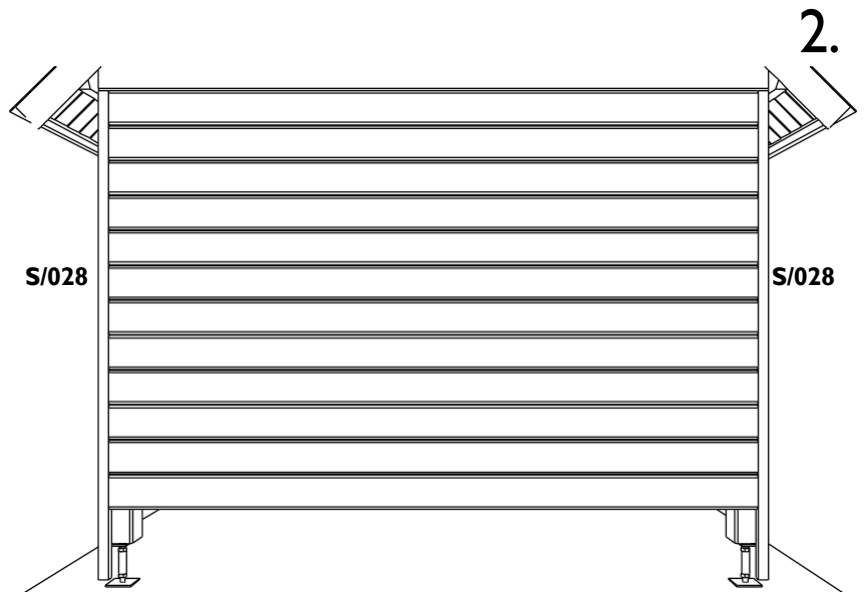


Front wall



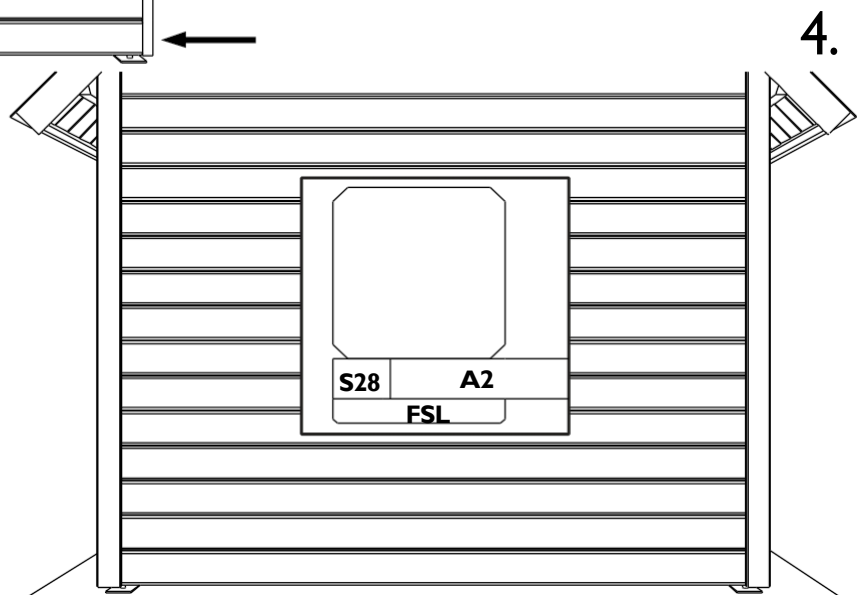
Start at the top under the truss with log A5 (this has no tongue), continue with the A2 logs by interlocking the tongue and groove of the logs. Ensure that you can see the same amount of the post on the left and right. Use the supplied plastic shims to create a 2 mm gap between the logs. **If not, the logs will not be able to move and you risk the logs pulling loose from the posts, resulting in serious damage.** Attach all the logs until you reach the bottom of the post. Use 2x2 50 mm screws per log.

Now attach a batten S/028 to the left and right of logs A2, at the top up to the gable.



Secure the bottom log A2 by screwing 2x2 70 mm screws through the battens S/028.

Finally, all you need to do is attach the decorative trim FSL with 5 x 50 mm screws.





- Product liability only applies if the log cabin has been assembled in full compliance with these assembly instructions.
- The customer is responsible for ensuring that the log cabin is adequately secured to the ground (protection against stormy weather).

## **WARRANTY**

The product is made of wood, a natural product that, due to its outdoor placement, will continue to "live" and therefore requires ongoing attention. Assembly, treatment and anchoring will be carried out by or on behalf of the customer. Gardenas is therefore responsible for and provides a warranty on the product and its components themselves, but not for the consequences of incorrect assembly, missing or inadequate anchoring, or incorrect or inadequate maintenance.

### **How long?**

Unless otherwise stated, Gardenas offers a 5-year warranty on its products. Fittings and roofing are covered by a 2-year warranty. Products sold as pressure-impregnated are covered by an extended 10-year warranty against rot, mould and insect damage to the wooden parts.

The warranty period starts from the date of purchase.

### **What is covered by the warranty?**

- The structural design of the product for safe and normal use.
- The correctness of the parts in terms of quantity and shape upon delivery. Any deviations must be reported no later than 14 days after delivery.
- The warranty is limited to the replacement of defective, damaged or unusable parts.

### **What is not covered by the warranty?**

- Costs of (re)installation, production, assembly, treatment.
- Parts that are no longer in their original condition.
- Defective parts that were installed anyway.
- Minor deviations from the natural material, whether or not specified in the manual, which do not compromise the stability and expected lifespan of the product (e.g. knots, cracks, discolouration, slight deformations that can be assembled and will have no impact after assembly or will be invisible after assembly, etc.).
- Damage, deformations or defects resulting from ignoring to strictly follow the advice and instructions in the product manual and/or incorrect or careless use of the product, as well as damage caused by poor foundations.
- Damage and degradation and their consequences due to inadequate treatment of the product.
- Damage caused during transport and storage, whether or not due to extreme humidity, if transport and storage were not carried out under Gardenas' management.
- Damage caused by third parties, animals, insects (except if the product was delivered pressure-impregnated) and termites.
- Natural ageing or discolouration of the product.
- Damage caused by a roof load (e.g. snow) of more than 50 kg/m<sup>2</sup>.
- Direct or indirect damage to items and materials stored in or under the product.
- Consequences of force majeure: storms, natural disasters, floods, vandalism, etc.

### **Parts availability and delivery**

Gardenas guarantees the availability of all parts or a valid alternative for each part for up to 5 years after purchase of the product, regardless of whether the part is still under warranty or not.

Gardenas will make every effort to provide any replacement parts as quickly as reasonably possible. Gardenas will deliver the parts in the same manner and to the same location as it delivered the original product.